

ALX-SSB Transceiver Notes

23 October 2018

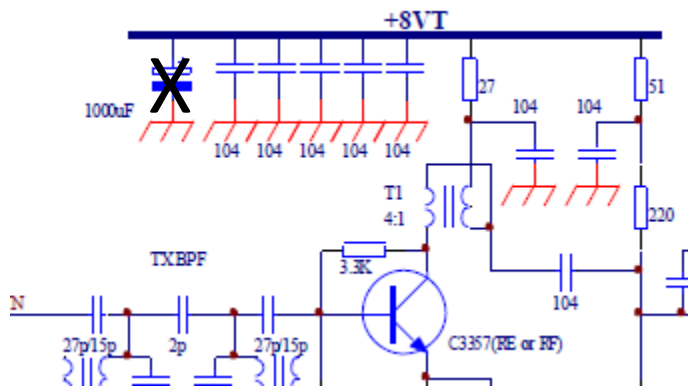
A couple of notes as to my preferences in construction.

http://www.qrvtronic.com/CatHAM_Radio/Products/ALX_SSB.htm

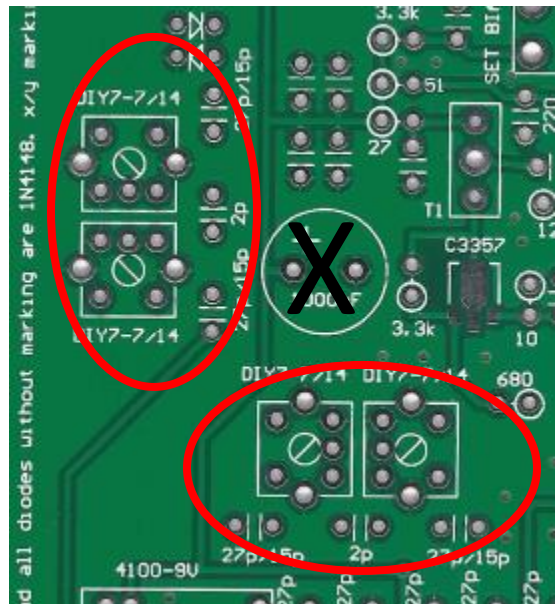
- 1) After verifying that all parts are included, even though they were checked prior to shipment, I attach the feet to the bottom case, if not installed.
- 2) Next, I construct the Digital VFO which is in a separate bag. It can be attached to the Display as well. I then perform the calibration as described in: ALX-SSB_VFO_AssemblyManual_Board.pdf
- 3) If **Multi-Band** option has been ordered, assemble that next. Follow: ALX-SSB_MultiBandFilterAssemblyManual.pdf. **Do not install the DIY7-xx filters and capacitors on the main board.** We will connect wires from the Multi-Band board later.

Use: ALX-SSB-TransceiverAssemblyManual.pdf

Also, on the main board, we no longer install the 1000 uf capacitor:



We have found that it can cause an issue when the Push to Talk is released. A delay in returning to receive.



Review: ALX-SSB_Transceiver_OperationManual.pdf

Please contact me if you have any questions: larry@QRVTronics.com or 214-697-1729 cell phone.